



GDSuG9 146x188R

M10-A2-1



DATA SHEET

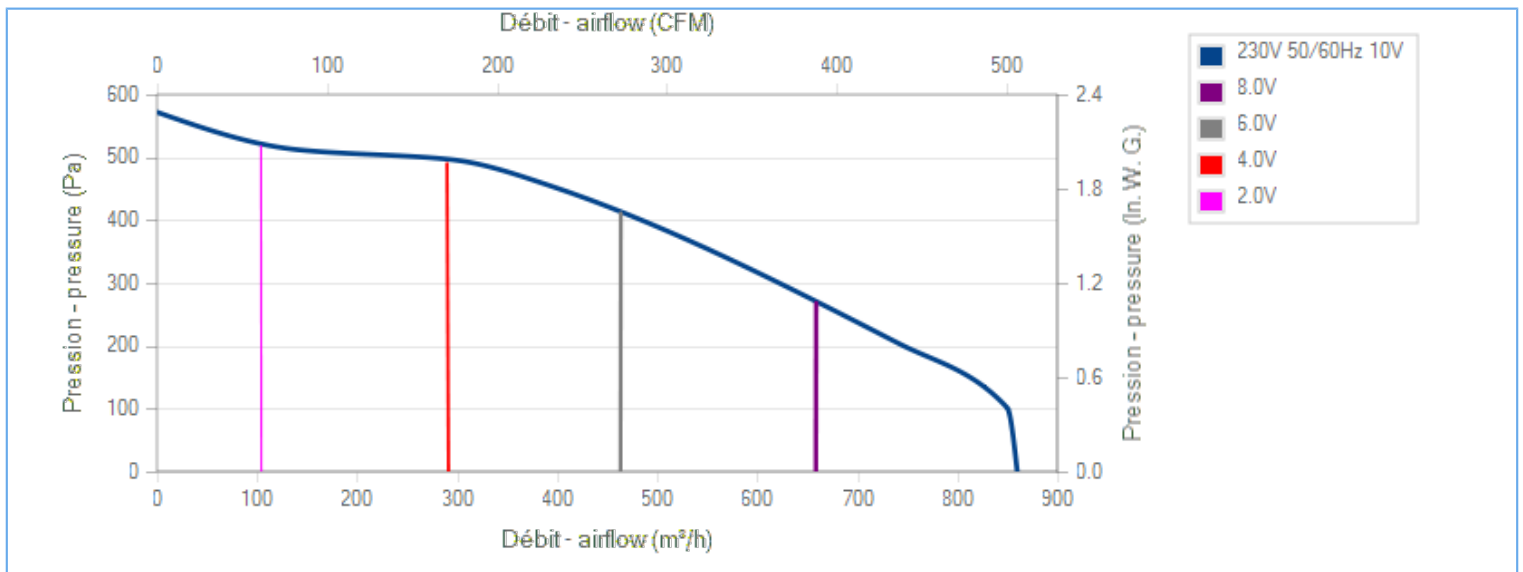
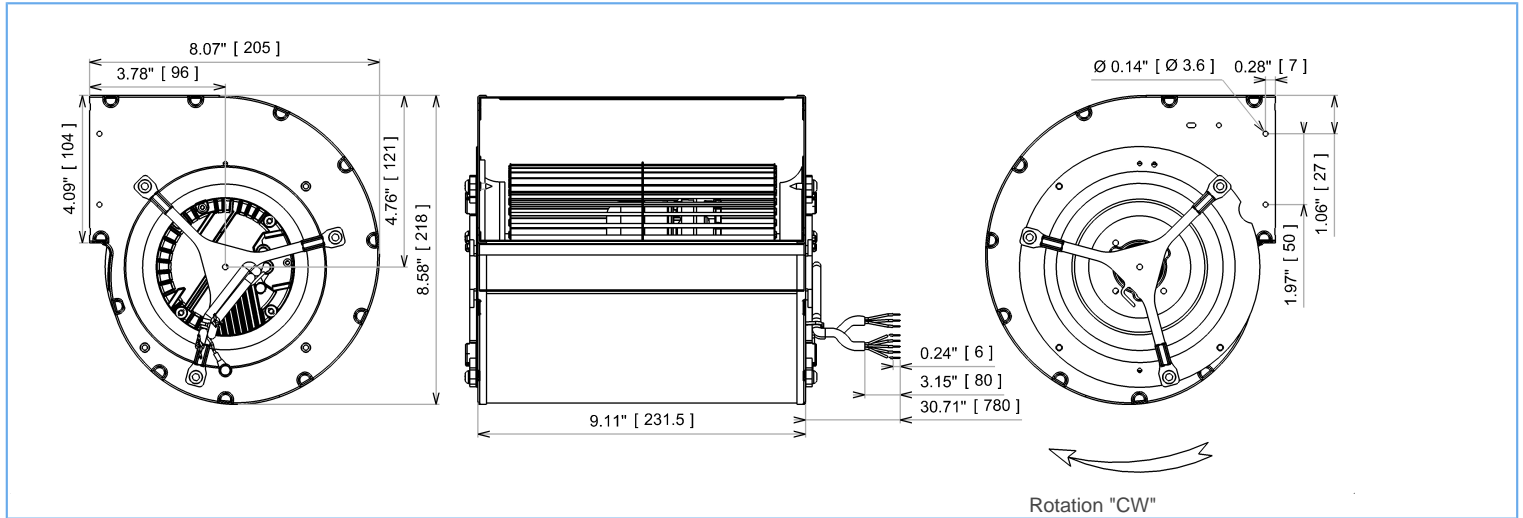
release. f - Revision 04-2017

Voltage	Frequency	Input Power	Input Current	Airflow	Rotation speed	Acoustic level	Direction rotation	Admissible Temperature
V	Hz	W	A	m ³ /h	RPM	dBA	↻	Min/Max
230	50/60	61	0,57	860	1140	56	R	-20°C / +50°C
230	50/60			506 CFM				-4°F / 122°F

dBA : free blowing

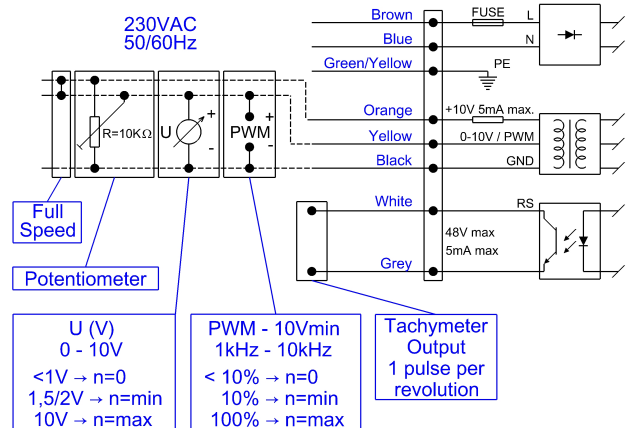
ErP 2013 **OK**

ErP 2015 **OK**



Description

- .Weight : 3,3 Kg
- .Ball bearing
- .Insulation Class F
- .IP4x may be IP44 according to EN60034-5 after checking the integration into the customer appliance
- .G2.5 balancing
- .Scroll housing : black paint
- .Galvanized steel impeller



Non contractual document. All specifications are subject to change without prior notice. Picture for information only.



DATA SHEET

release. f - Revision 04-2017

Data in accordance to ErP directive

Voltage	230	V
Frequency	50	Hz
Power	0,141	kW ⁽¹⁾
Airflow	527	m ³ /h ⁽¹⁾
Pressure	361	Pa ⁽¹⁾
Rotation speed	2369	RPM ⁽¹⁾

(1) at optimal efficiency point

	Actual	Request 2013	Request 2015
Overall efficiency (η)	43,1	25,3	32,3
Efficiency grade	55	37	44
Installation category	A		
Efficiency category	static		
Variable speed drive	Yes		
Specific ratio	1,00		

Designed for regular application according ErP directive EU 2009/125/EC

Accessories

21338

Measurement setup

Contact ECOFIT

Documents

Manuel d'utilisation

www.ecofit.com/site/normes

Operating and recycling manual

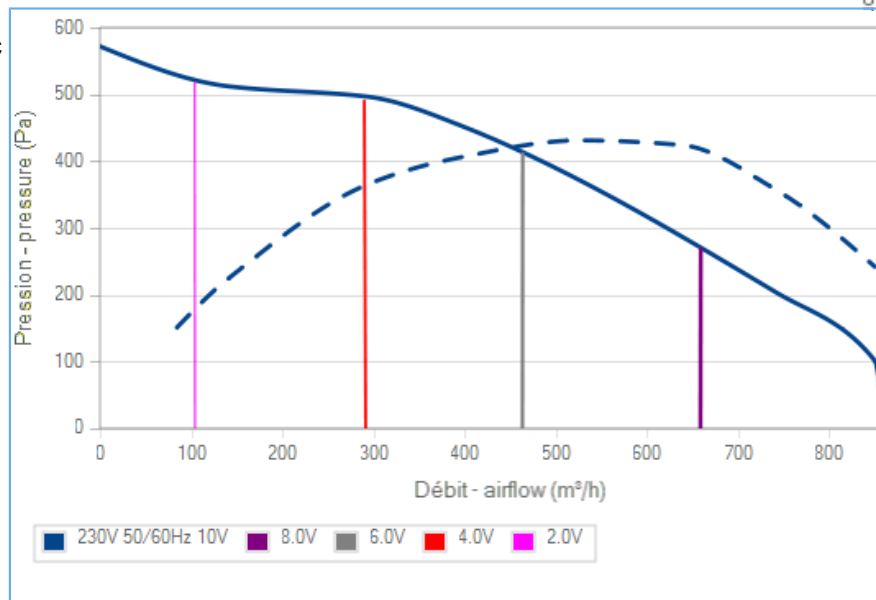
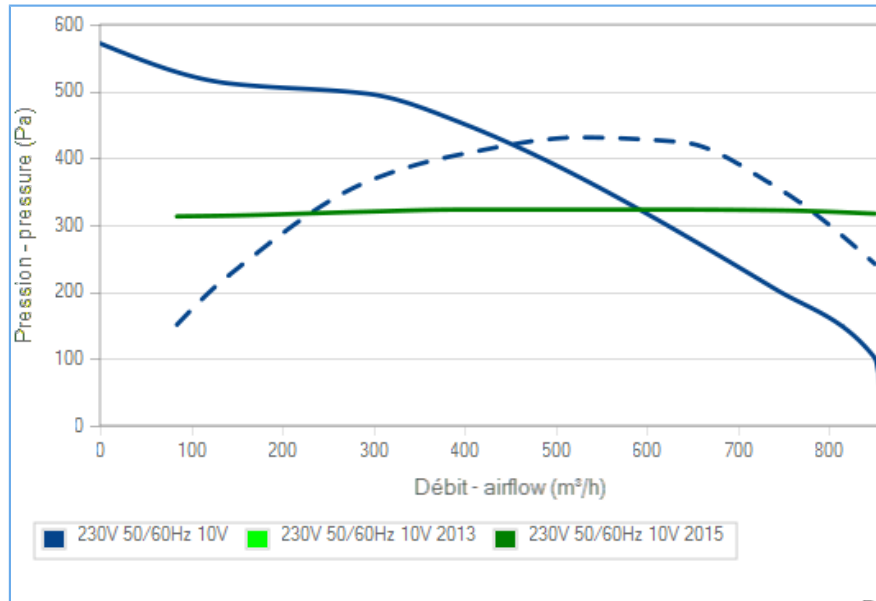
www.ecofit.com/anglais/normes



IEC 60335-2-80:2002 + A1:2004 +
IEC 60335-1:2010
EN 60335-2-80:2003 + A1:2004 + A2:2009 +
EN 60335-1:2012
RT9192CE



UL1004-1, 2nd edition "rotating electrical machine"
UL1004-3, 1st edition "thermally protected motors"
UL1004-7, 2nd edition "electronically protected motors"
C22.2 N°100-04, 6th edition "motors and generator"
C22.2 N°77-95, 7th edition "motors with inherent overheating protection"
UL Motor Model : RT9192
File Number : E326930.XDNW2,8



La courbe de rendement intègre le facteur de compensation de charge partielle du règlement (UE) n°327/2011
The efficiency curve includes part load compensation factor of regulation (EU) n°327/2011